

TECHNICAL DATASHEET

Product: Spot Glass 3,5W WW
Valid from: 01 March, 2014

Code: ABGU10WW-3.5W-GL



Specifications

EAN code:	5999562282892
Product name:	Spot Glass 3,5W WW
Technology:	LED
Model:	Spot
Socket:	GU10
Packaging:	Cardboard box with paper holder
Working temp.:	-25 - +40 °C
Housing:	Glass
Certifications:	EN 60968, RoHS / GS, CE, EMC

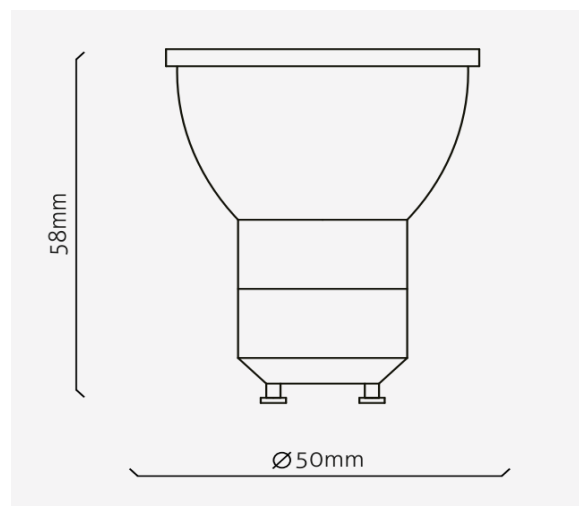
Picture



Technical Details

Wattage:	3,5 W
Old reference:	35
Voltage:	AC 220-240V
View angle:	120°
Dimmability:	no
Lumen output:	330 lumen
Color temperature:	2900-3300k
Lifetime:	25 000 hours
Energy label:	A+
Brand of LED:	Epistar
Type of LED:	ONE 0.2WCHIP
Number of LEDs:	24
CRI:	80,0
Lumen/Watt:	9,4
Power factor:	>0.4
IP Standard:	20
LED Intensity:	132000

Outline



Product Size

Diameter:	50 mm
Height:	58 mm

LOGISTICS DATASHEET

Product: Spot Glass 3,5W WW
Valid from: 01 March, 2014

Code: ABGU10WW-3.5W-GL



Cardboard box

EAN:	5999562282892
Packaging:	200 pcs/carton
Height:	72 mm
Width:	50 mm
Depth:	50 mm
Net weight:	43,0 g
Gross weight:	55,1 g

Carton

EAN:	5999562283455
Packaging:	Cardboard box
Height:	350 mm
Width:	285 mm
Depth:	535 mm
Net weight:	11,0 kg
Gross weight:	12,0 kg

Pallet Example

Packaging:	-
Height:	-
Width:	120 cm
Depth:	80 cm
Cartons per pallet:	-
Cartons per row:	-
Rows of cartons:	-
Net weight:	-
Gross weight:	-